

TEAMTEC INCINERATORS

Market leaders since 1972 - More than 11 000 units sold worldwide



OG120C
Capacity: 220 kW

TEAMTEC Incinerator model OG120C

The smallest incinerator in our range. The sturdy, compact design and high performance make the **OG120C** an *obvious first choice* for the waste treatment onboard small and medium sized vessels.

COMPACT DESIGN

The TEAMTEC high capacity incinerator models have one of the world's **smallest footprints and overall size**. The incinerators can easily be installed in a corner.

Our incinerators are made from high quality marine components only.

AUTOMATIC CONTROL

TEAMTEC incinerators are all controlled by a high technology PLC ensuring a **simple and reliable operation, maximum capacity utilisation and minimum fuel consumption**.

Minimum attendance is needed during operation and remote supervision is possible.

LOW OPERATION COSTS

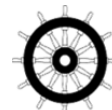
Our unique high temperature cyclone burning principle ensures that all the incinerators in TEAMTEC product range can incinerate sludge oil (waste oil) with water content up to 50% without using support fuel, leaving our incinerators as one of the most **economical** incinerators on the market.

TEAMTEC incinerators have **no strainers or filters** in the sludge oil system and this in addition to several other advantages keeps the maintenance costs to an absolute minimum.

MODULAR CONSTRUCTION

All our incinerators are of a **modular construction** and can, if required, be delivered as a flat-packed unit for assembling onboard the vessel/installation – no parts are bigger than a normal ship door. No welding is needed.

This construction also benefits the life-time maintenance works.



MED APPROVED

TECHNICAL DATA – OG120C model:

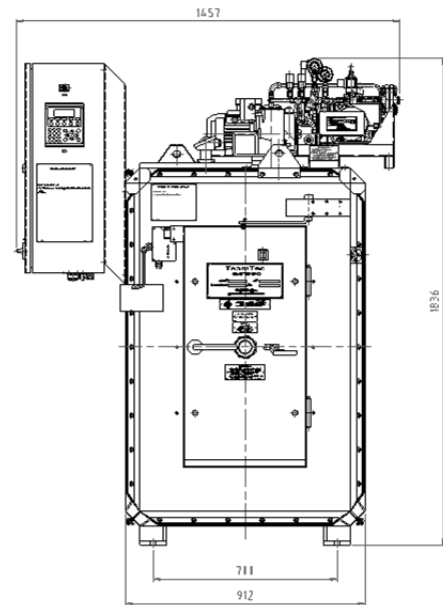
version :	C	CW
Calorific capacity:	190 000 kcal/h 220 kW	190 000 kcal/h 220 kW
Sludge oil capacity *:	29 l/h	N/A
Bilge water capacity:	N/A	N/A
Solid waste capacity:	200 l/load (26 kg IMO**)	200 l/load (26 kg IMO**)
Feeding sluice:	-	-

* IMO-defined sludge oil, 20% water content. ** IMO-defined type II waste

ALL VERSIONS:

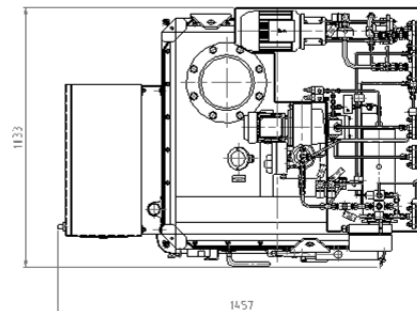
The C-version burns simultaneously sludge oil and solid waste.

TEAMTEC incinerators are designed and certified in compliance with the IMO resolution MEPC 76 (40) and IMO MARPOL ANNEX VI.



OPTIONS:

- Skid/base mounted units
- Containerized units
- Remote control panel / slave panel
- Sludge oil and diesel oil tanks
- Diesel oil transfer and booster pumps
- Sludge tank level indicator in operator display
- Heat tracing control for the sludge circulation line
- Frequency controlled flue gas fan
- Flue gas stack components
- Solutions for ambient temp. above 55°C
- Project versions



TG5.2 – Aug, 2017